



Our world revolves around you.

EZM STANDARDLIGHT Swivel Joints

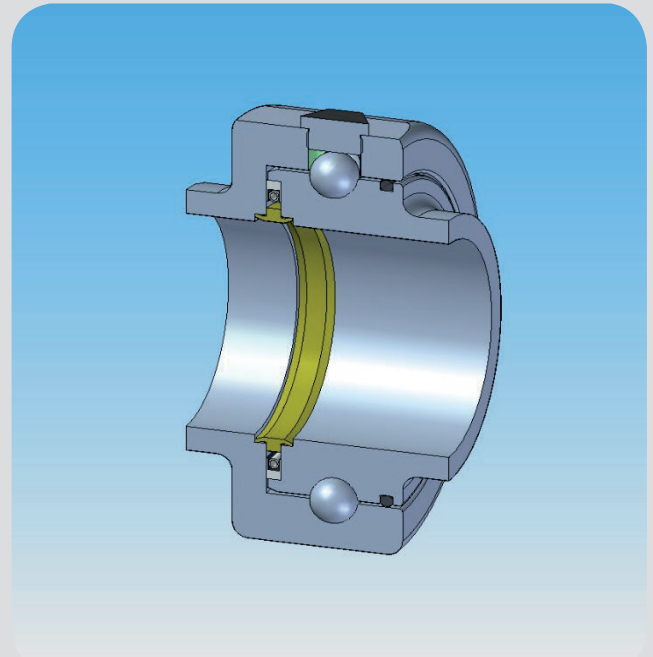
**Multiple-purpose swivel joints –
light version - directly from the
manufacturer**

For over ten years EZM Gelenk- und System-
technik has proven itself as a reliable supplier
of swivel joints. Our swivel joints find their
applications in sewage and cooling lines, the
chemical and pharmaceutical industry in steel
mills and power plants.

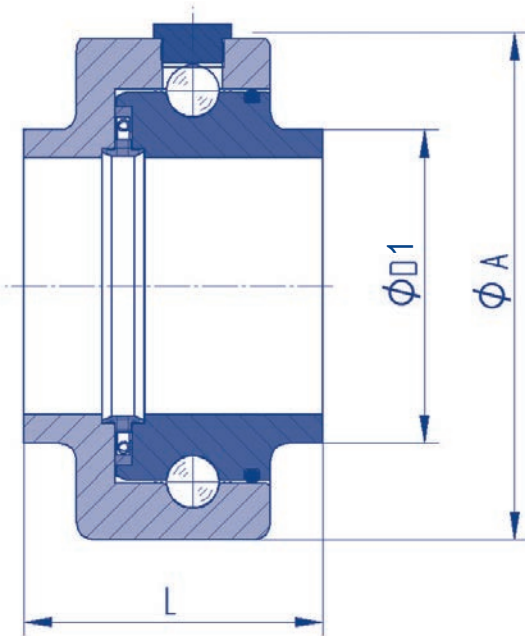
Test the light version of EZM STANDARD for
short overall length and as the best-value
alternative.

Advantages:

- Compatibility is guaranteed
- Swivel joints from DN20 to DN400, spare
and replacement parts are all available
directly from stock, guaranteeing minimum
delivery time
- 48-hour maintenance response
- Custom-produced swivel joints are
available in short order



 **Made in
Germany**



EZM STANDARDLIGHT

Swivel joint head IFGL / Standard Design

Dimensions and weights

DN	ØD1 mm	ØA mm	L mm	weight kg
20	26,9	84	70	1,8
25	33,7	84	70	1,8
32	42,4	96	70	2,3
40	48,3	96	70	2,4
50	60,3	115	85	3,7
65	76,1	135	85	4,9
80	88,9	144	85	5,2
100	114,3	167	85	6,4
125	139,7	198	110	10,7
150	168,3	225	110	12,8
200	219,1	288	112	20,7
250	273,0	344	112	27,0
300	323,9	400	120	28,4
350	355,6	432	120	31,1
400	406,4	488	120	40,8

Nominal width

- from DN20 to DN400

Standard design

- with one ball track
- with axial seal
- with dust seal

Special design

- with lubricating nipple
- with internal scraper
- primed or painted upon request

Connections

- all connects as e.g. SAE socket possible

Specification

- max. pressure 420 bar
- max. temperature 180 °C
(The maximum limits of temperature and pressure must not occur at the same time)

Standard material

Outer and inner part

- St 52-3/nitrocarburated
- 1.4571
- 42CrMo4
- other material upon request

Axial seal

- PTFE compound
(spring-loaded)

Contact:

Martin Klaas: +49 (0) 2392 5070 251
email: m.klaas@ezm-industrie.de

Axel Klaas: +49 (0) 02392 5070 250
email: a.klaas@ezm-industrie.de